

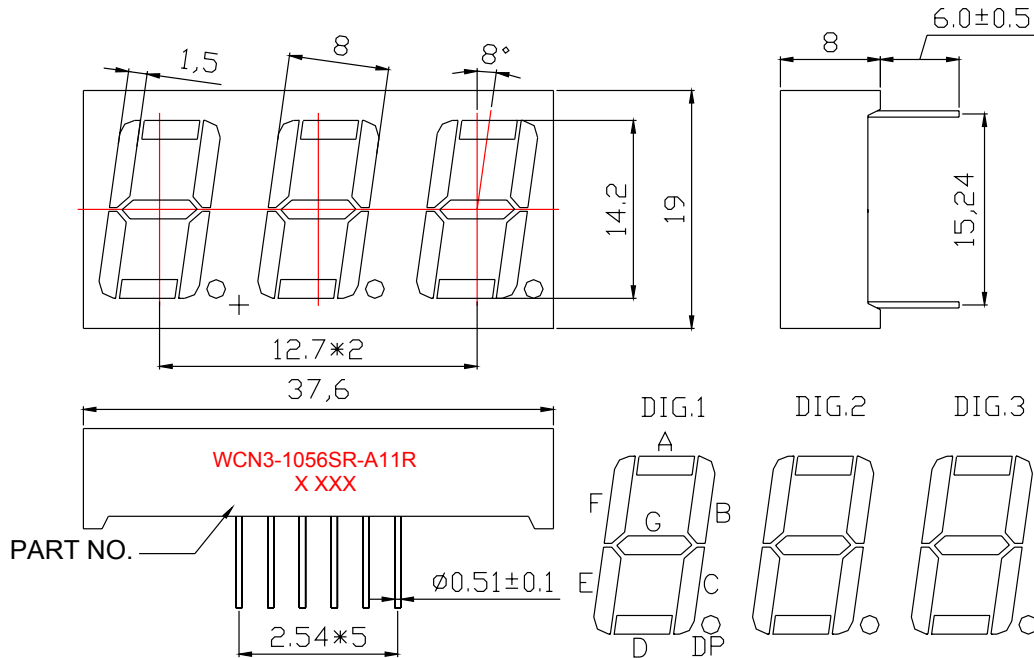
WCN3-1056SR-A11R**SPECIFICATION**

WCN			CUSTOMER
Prepared by	Checked by	Approved by	Confirmed
Liu 2012-11-7	Athena		



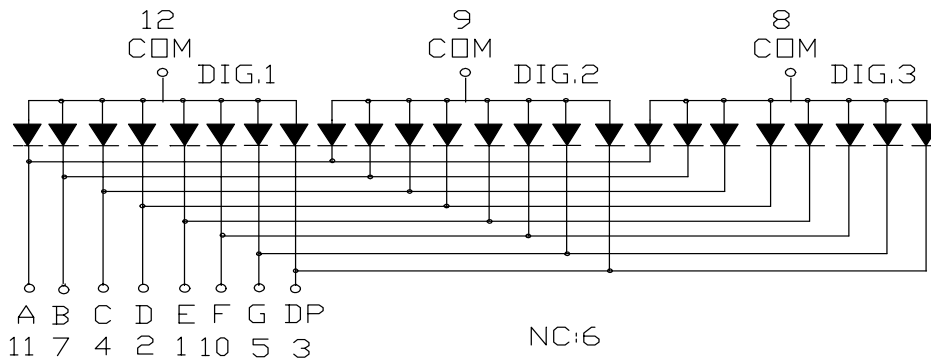
REVISION: A0

Outer Dimension:



Note: Unless otherwise stated, The tolerance is ± 0.25 mm.

Circuit Diagram:



Pin Connection:

PIN NO.	CONNECTION	PIN NO.	CONNECTION
1	Cathode E	7	Cathode B
2	Cathode D	8	Common Anode Dig.3
3	Cathode DP	9	Common Anode Dig.2
4	Cathode C	10	Cathode F
5	Cathode G	11	Cathode A
6	NC	12	Common Anode Dig.1

World Components Network Service Ltd

■ Features:

- High Reliability
- Color: Red
- Low Power Requirement
- Easy Assembly

■ Description:

- Triple Digit LED Display
- Digit Height:14.2mm(0.56")
- Gray Face and Milky Epoxy

■ Absolute Maximum Rating (Ta=25°C):

Parameter	Symbol	Condition	Color	Rating	Unit
Power Dissipation Per Segment	P _d	—	Red	65	mW
Forward Current Per Segment	I _F	—	Red	25	mA
Derating Of If Per Segment	ΔI _F	Ta ≥ 25°C	Red	0.33	mA/°C
Peak Forward Current Per Segment	I _{FP}	1/10 Duty 10KHz	Red	100	mA
Reverse Voltage Per Segment	V _R	—	Red	5	V
Operating Temperature Range	Topr	—	—	-35~+85	°C
Storage Temperature Range	Tstg	—	—	-35~+85	°C

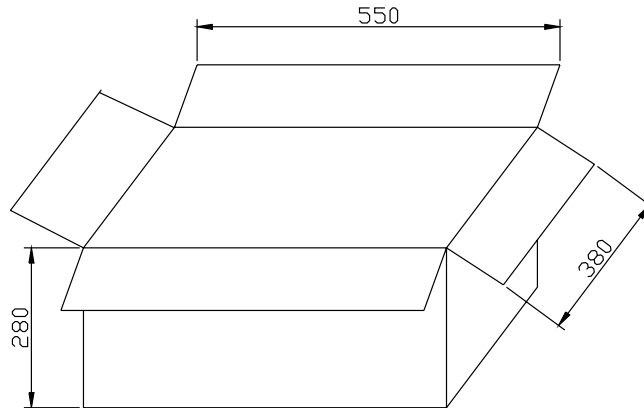
■ Electrical/Optical Characteristics Rating(Ta=25°C):

Item	Symbol	Test conditions	Location	Rating			Unit
				Min.	Typ.	Max.	
Forward Voltage	V _F	I _F =20mA	Per Segment	—	2.00	2.60	V
Reverse Current	I _R	V _R =5V	Per Segment	—	—	100	μA
Luminous Intensity	I _V	I _F =10mA	Per Segment	5050	8000	—	μcd
Wave Length	λ _P	I _F =20mA	Per Segment	—	638	—	nm
	λ _D				633		
Spectral Line Half Width	Δλ	I _F =20mA	Per Segment	—	20	—	nm
Luminous Intensity Matching Ratio (Segment to Segment)	I _{v-m}	I _F =10mA	—	—	—	2:1	

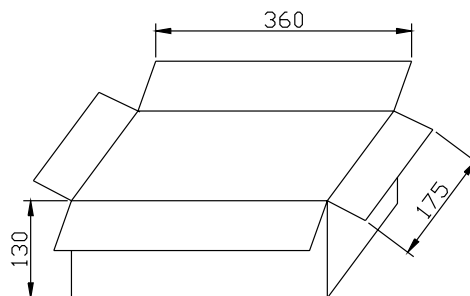
■ Luminous Intensity Sorting:(Luminous Intensity Tolerance is +/-10%)

Rank	Symbol	Condition	Min	Max	Unit
K	K	I _F =10mA	5.05	8.00	mcd
L	L	I _F =10mA	8.00	12.56	mcd
M	M	I _F =10mA	12.56	20.00	mcd

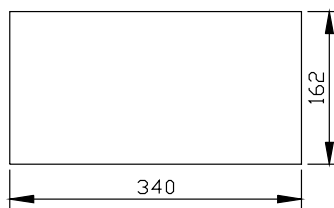
■ Soldering Conditions: Soldering Temp. ≤ +260°C, Soldering Time. ≤ 3sec.
(at 2mm Distance from The Case of Reflector Edge)

■ Outer Carton Dimension:

- Note: 1. An Outer carton contained 6 Inner cartons and 2580 PCS products.**
2. Unless otherwise stated, the tolerance is +5mm / -0mm.
3. The carton material is A=B Brown Paper.

■ Inner Carton Dimension:

- Note: 1. An Inner carton contained 6 PCS Foam Board and 430 PCS products.**
2. Unless otherwise stated, the tolerance is ± 3 mm.

■ Steamed Foam Dimension:

- Note: 1. A Steamed Foam contained 72 PCS products.**
2. Unless otherwise stated, the tolerance is ± 2 mm.